



# Race Day Schedule

## Saturday, September 21, 2019

(Subject to Change)



### Event #13 - Points Finals - Western Speed Association Late Model Series Super Late Model, Mini Stock, Bandolero, Street Stock Points Finals

- 11:00am **Competitor's Gate and Pit Gate opens - Western Speed Association Series Only**
- 12:00pm Technical Inspection Station Opens - Pick up your Transponders
- 12:00pm **Pit Gate Open - Support Divisions** (Mini Stock, Bandolero, Street Stock)
- 12:00pm Western Speed Association Committee Meeting
- 12:15pm **Western Speed Association Series Driver and Spotter Meeting - MANDATORY**
- 12:45pm **Medavie West Ambulance Arrives**
- 1:00pm **Pit Gate Closed**
- 1:00pm Western Speed Association Series Practice Session #1 - (45 minutes, limit 10 cars at a time)
- 1:00pm Infield Concession Opens
- 1:45pm **Pit Gate Open - All Divisions**
- 2:10pm Pit Gate Closed
- 2:15pm Western Speed Association Series Practice Session #2 - (30 minutes, limit 10 cars at a time)
- 2:45pm **Pit Gate Open - All Divisions**
- 3:40pm Pit Gate Closed
- 3:40pm Hot Laps Session #1 - Mini Stock - 10 minutes
- 3:50pm Hot Laps Session #1 - Bandolero - 10 minutes
- 4:00pm Hot Laps Session #1 - Street Stock - 10 minutes
- 4:10pm **Track Crossing**
- 4:15pm Western Speed Association Series - Pre Qualifying Tech Begins (first car picked at meeting)
- 4:15pm Hot Laps Session #2 - Mini Stock - 10 minutes
- 4:25pm Hot Laps Session #2 - Bandolero - 10 minutes
- 4:30pm **Front Gates Open to Public**
- 4:35pm Hot Laps Session #2 - Street Stock - 10 minutes
- 4:45pm Final track cleanup and inspection
- 4:50pm **Pit Meeting - Mandatory for all drivers and crew**
- 5:20pm Pit Gate Closed
- 5:20pm **Western Speed Association Series Qualifying in order of draw (Y/G/W/C)**
- 5:50pm Mini Stock to Staging
- 5:55pm Back Gate Closed and Locked
- 6:00pm **Welcome, Invocation, National Anthem**
- 6:05pm Mini Stock Heat Race A (split at 14)
- Western Speed Association Series Heat A
- Western Speed Association Series Heat B
- Bandolero Heat Race A
- Street Stock Heat Race A (split at 14)
- Western Speed Association Series Heat C / B Main (if necessary)
- Mini Stock Heat Race B
- Bandolero Heat Race B
- Street Stock Heat Race B
- 10 Minutes Intermission

**Golf's Car Wash Mini Stock Points Final Feature Race**  
**Schira Subways Bandolero Points Final Feature Race**  
**Golf's Car Wash Street Stock Points Final Feature Race**  
**Provincial Vodka Western Speed Association Series - Main Feature Race - Lakeview Insurance 150**



**LAKEVIEW**  
INSURANCE BROKERS

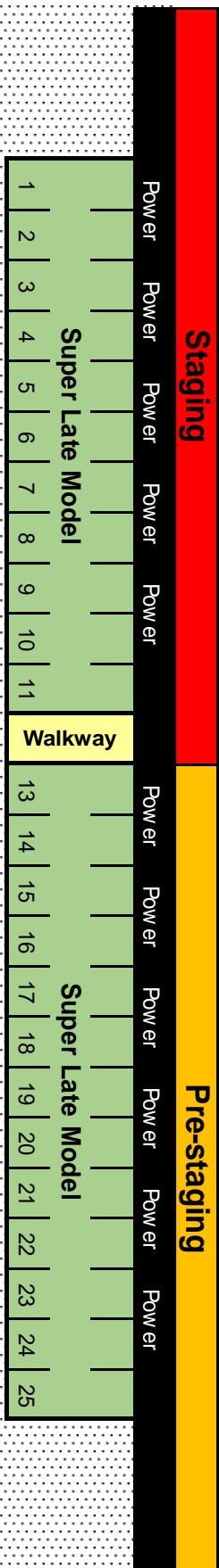
Pits Open to Public, loading and cleanup. Social in Garage



**Wyant Group Raceway**  
**Pit Stall Assignments - Saturday, September 21, 2019**  
**Event #13 - Western Speed Association Late Model Series - Super Late Model, Mini Stock, Bandolero, Street Stock**

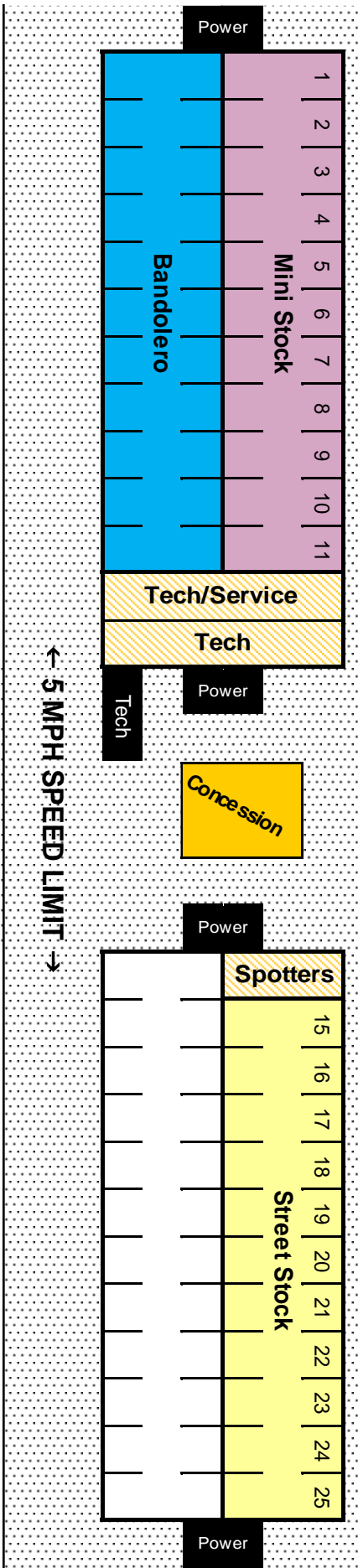
**Staging**

**Pre-staging**



← 5 MPH SPEED LIMIT →

← 5 MPH SPEED LIMIT →



← 5 MPH SPEED LIMIT →

Back Gate  
Crossing